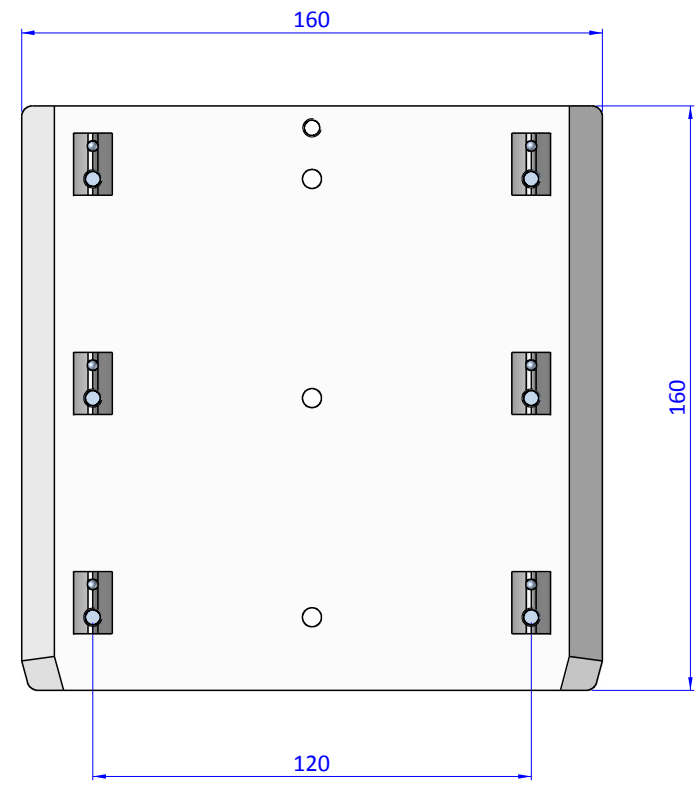
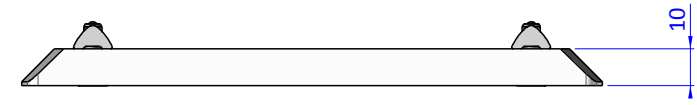
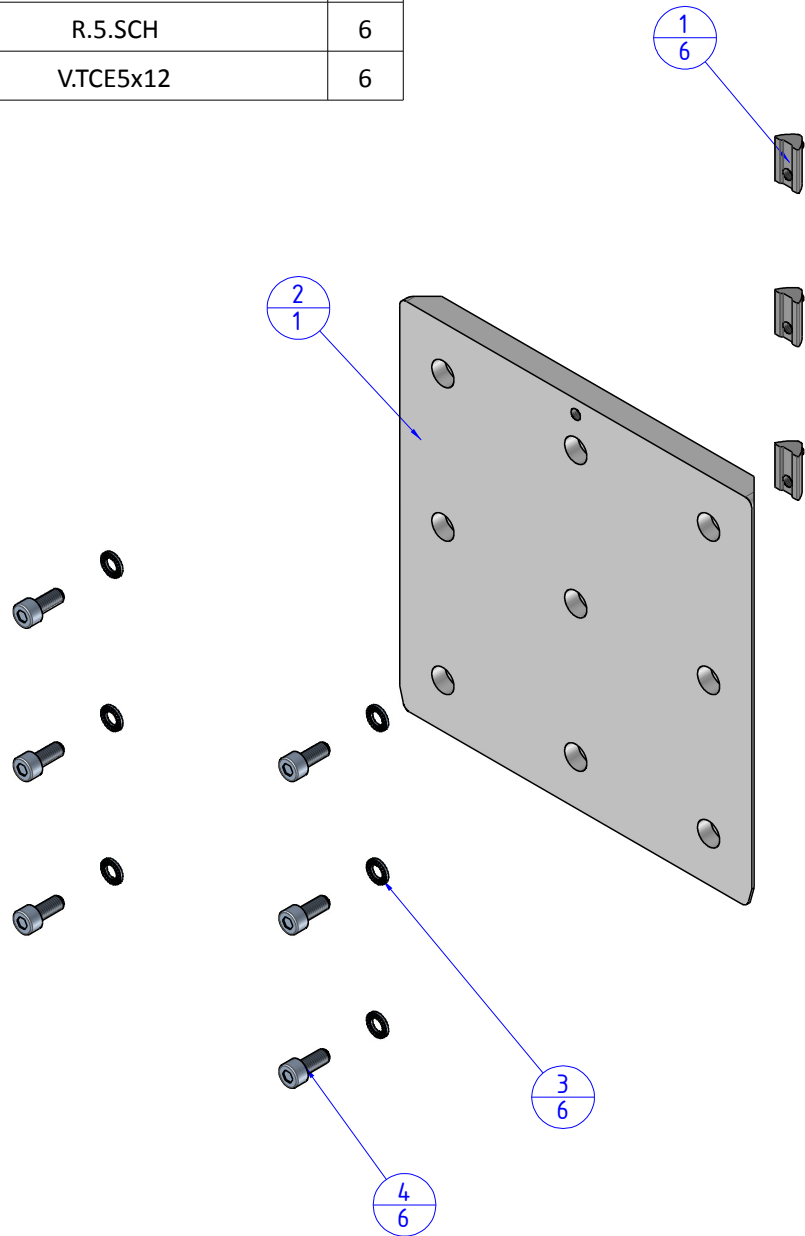



THE PROPERTY OF THE DRAWING IS ESTABLISHED BY LAW. IT IS FORBIDDEN TO PRODUCE OR SHOW IT TO THIRD PARTY, WITHOUT A WRITTEN AGREEMENT.

Item	Name	Qty.
1	02.05.005	6
2	GPM2.X	1
3	R.5.SCH	6
4	V.TCE5x12	6



Format A3
UNI 936-76

 FPS FPSERVICES AUTOMATION		DESIGNED FROM	REVIEW
		FPS Automation	A
GENERAL TOLERANCE	DESCRIPTION	DATE	WEIGHT
UNI - ISO 2768		25/07/2019	0,696kg
CLASSE f		CODE	CA.GPM2.6
		CA.GPM2.6	